



Bufferbelt BBTF120

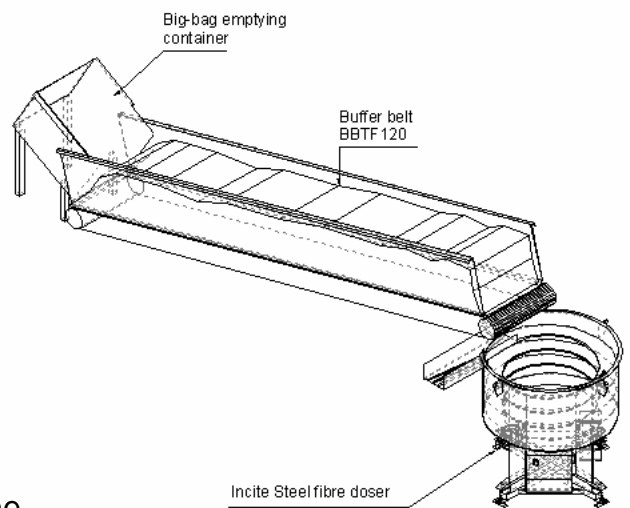
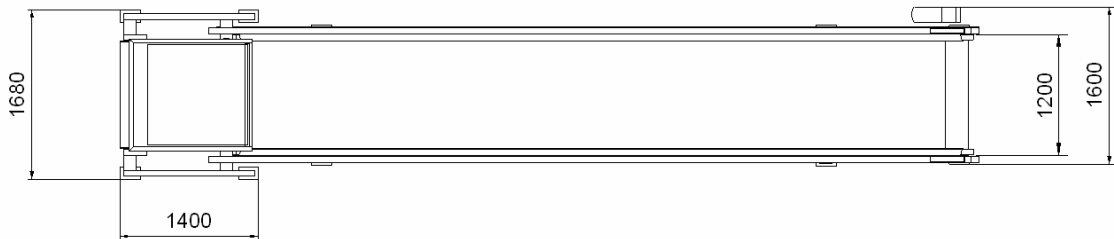
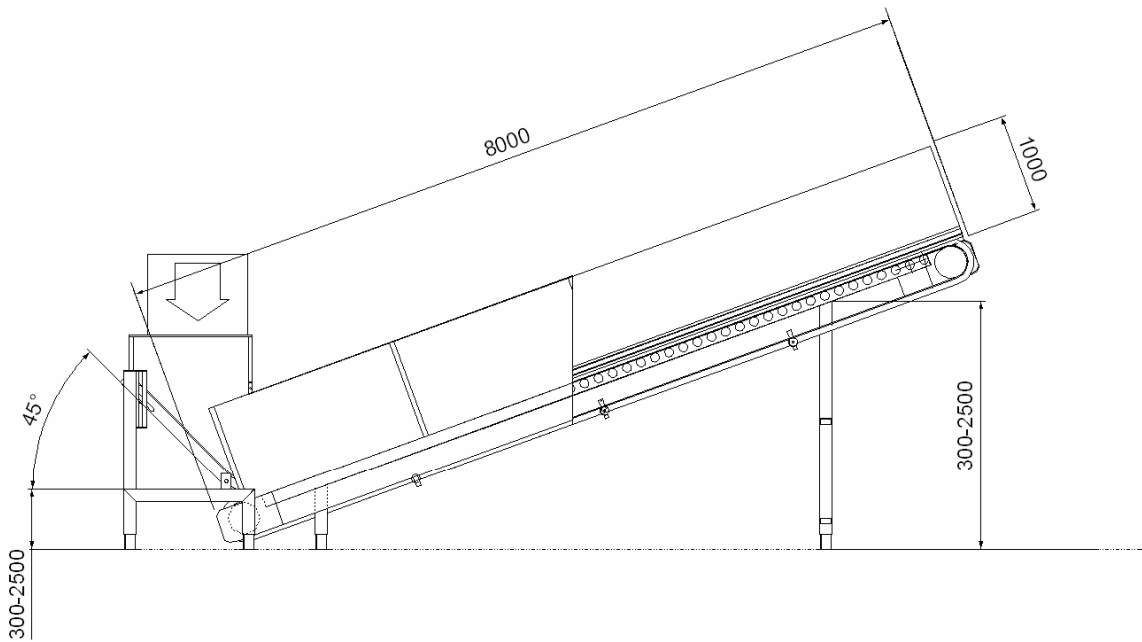
For steel fibre dosing.

- Storage capacity up to 8 tonnes
- Automatic refilling of fibre doser



**Incite SF1200SR with
buffer belt BBTF120.**





Technical description:

Fibres from bigbags are emptied onto a receiving container. The fibres slide onto a buffer belt BBTF120. The buffer belt can, in filling mode, be stepped by manual push-button or footpedal.

Incite fibre doser is standing on loadcells. The loadcell-signal controls via a PLC the start/stop of buffer belt BBTF120 enabling automatic refilling of the fibre doser.

Incite fibre dosers for big bags can hold approx 800-2000 kg and Bufferbelt BBTF120 approx 5000-8000 kg of steel fibres.

Storage capacity is depending on fibre type.

We reserve the right to changes Nov2007